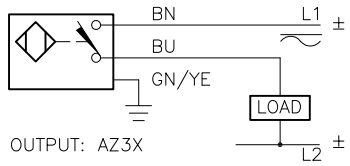
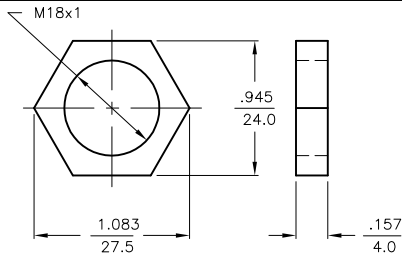


WIRING DIAGRAM



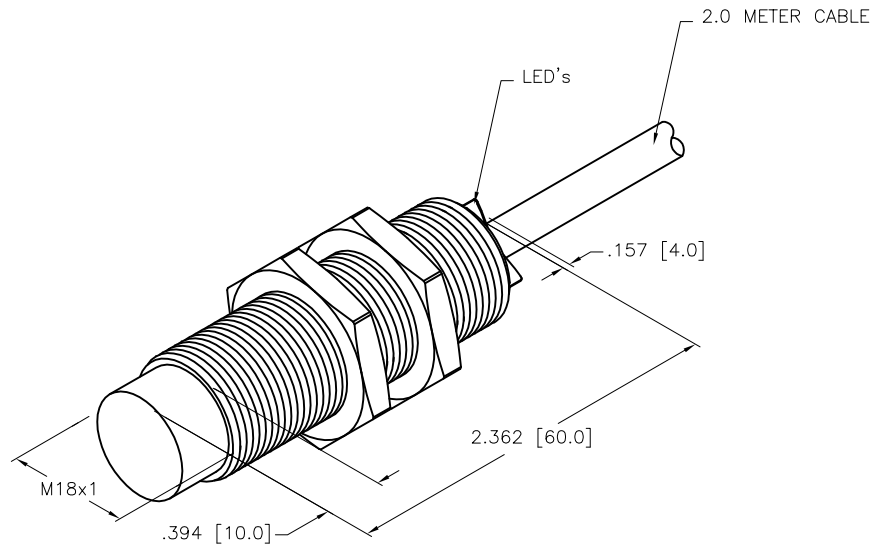
WARNING: NO SHORT-CIRCUIT PROTECTION.
ALWAYS WIRE A LOAD IN SERIES WITH THE SENSOR.

LOCKNUT LN-M18



SPECIFICATIONS

RATED OPERATING DISTANCE	10mm = .394"
MOUNTING MODE	NON-FLUSH
TEMPERATURE DRIFT	≤±10%
HYSTERESIS	3-15%
MIN. REPEAT ACCURACY	≤2%
OPERATING TEMPERATURE	-25°C to +70°C (+13°F to +158°F)
RATED OPERATIONAL VOLTAGE (VAC/VDC)	20-250 VAC/10-300 VDC
RESIDUAL RIPPLE	≤10%
RATED OPERATIONAL CURRENT	≤400 mA (AC)/≤300 mA (DC)
MAINS FREQUENCY	50-60 Hz
RESIDUAL CURRENT	≤1.7 mA
RATED INSULATION VOLTAGE	≤1.5 kV
SURGE CURRENT	≤8.0 A (≤10 ms MAX. 5 Hz)
MAX. VOLTAGE DROP	≤6.0 V
OUTPUT FUNCTION	2-WIRE, NORMALLY OPEN
SMALLEST OPERATING CURRENT	≥3.0 mA
MAX. SWITCHING FREQUENCY	≤0.02 kHz
HOUSING MATERIAL	METAL, BRASS, CHROME-PLATED
ACTIVE FACE	PLASTIC, PA12-GF20
END CAP	PLASTIC, TROGAMID T
CABLE	ø5.2, PVC
VIBRATION RESISTANCE	55 Hz (IN ALL 3 PLANES)
SHOCK RESISTANCE	30 g, 11 ms
DEGREE OF PROTECTION	IP67



SOURCE DRAWING - FOR REFERENCE ONLY

RELATED DOCUMENTS		3RD ANGLE PROJECTION		THIS DRAWING IS CONFIDENTIAL AND THE PROPERTY OF TURCK INC. USE OF THIS DOCUMENT WITHOUT WRITTEN PERMISSION IS PROHIBITED.		3000 CAMPUS DRIVE MINNEAPOLIS, MN 55441 1-800-544-7769 (763) 553-7300 (763) 553-0708 fax www.turck.us	
1.				DRFT	RDS	DATE	02/21/11
2.				APVD		SCALE	1=1.0
3.		UNIT OF MEASUREMENT				DESCRIPTION	
4.		INCH [MILLIMETER]				N110-G18-AZ3X	
MATERIAL		SEE NOTES		CONTACT TURCK FOR MORE INFORMATION		IDENTIFICATION NO.	
FINISH				DO NOT SCALE THIS DRAWING		4330101	
B	UPDATE ID NUMBER PER HARMONIZATION PROJECT	CBM	12/21/17			REV	
REV	DESCRIPTION	BY	DATE	ECO NO.		B	
FILE: 4330101						SHEET 1 OF 1	

B	UPDATE ID NUMBER PER HARMONIZATION PROJECT	CBM	12/21/17		
REV	DESCRIPTION	BY	DATE	ECO NO.	